

**PLEASE CHECK WWW.MOLEX.COM FOR LATEST PART INFORMATION**

**Part Number:** [0357500610](#)  
**Status:** **Active**  
**Description:** Ring Tongue Terminal for 16-20 AWG (0.50~1.4mm<sup>2</sup>), Stud Size 5-6 (M3-3.5), Post-Tin Plating

**Documents:**

[Drawing \(PDF\)](#) [RoHS Certificate of Compliance \(PDF\)](#)  
[Product Specification PS-35750-0300 \(PDF\)](#)

**General**

Product Family	Ring and Spade Terminals
Series	<a href="#">35750</a>
Crimp Quality Equipment	Yes
Mil-Spec	N/A
Product Name	R (Ring)
Type	Ring

**Physical**

Barrel Type	Open
Insulation	None
Material - Plating Mating	Tin
Packaging Type	Reel
Plating min: Mating (µin)	40
Plating min: Mating (µm)	1
Plating min: Termination (µin)	40
Plating min: Termination (µm)	1
Stud Size	5-6 (M3-3.5)
Temperature Range - Operating	-40°C to +105°C
Termination Interface: Style	Crimp or Compression
Wire Insulation Diameter	3.20mm (.126") max.
Wire Size AWG	16, 18, 20
Wire Size mm <sup>2</sup>	0.50 - 1.40

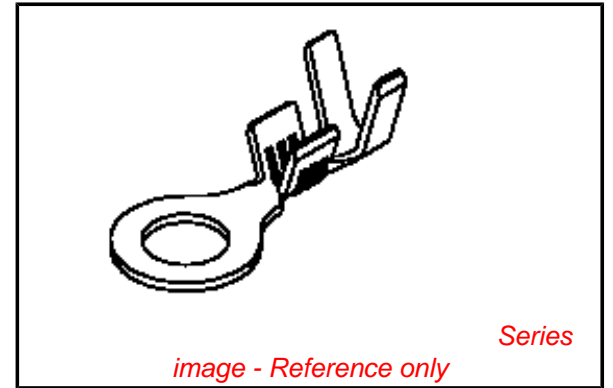
**Electrical**

Voltage - Maximum	300V DC
-------------------	---------

**Material Info**

**Reference - Drawing Numbers**

Product Specification	PS-35750-0300, RPS-35750-001
Sales Drawing	SD-35750-06*0



**EU RoHS**

**ELV and RoHS Compliant**  
**REACH SVHC**  
**Contains SVHC: No**  
**Halogen-Free Status**

**China RoHS**



**Need more information on product environmental compliance?**

Email [productcompliance@molex.com](mailto:productcompliance@molex.com)  
 For a multiple part number RoHS Certificate of Compliance, [click here](#)

Please visit the [Contact Us](#) section for any non-product compliance questions.

**Search Parts in this Series**  
[35750Series](#)

DO NOT SCALE DRAWING DIMENSION IN METRIC

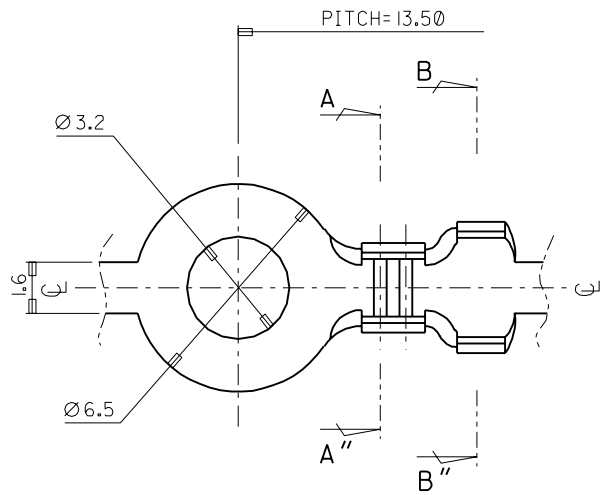
PROJECT NO. Ø3.2 RING TM'L

SIMILAR ITEM

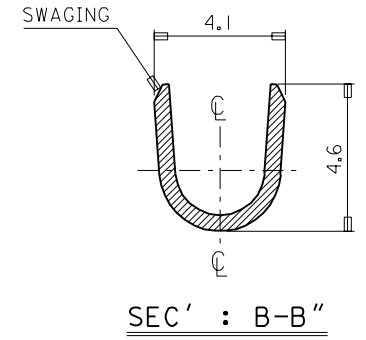
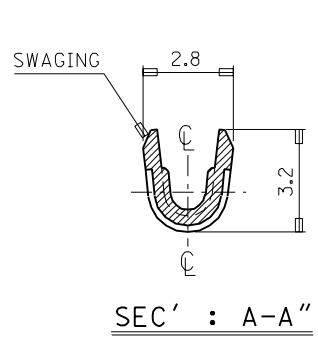
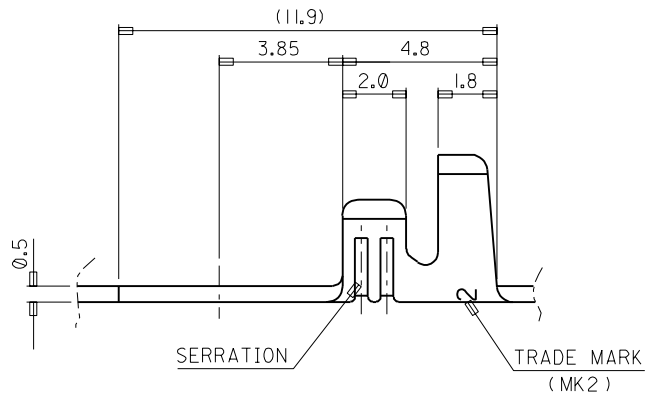
EDP NO.

ENG. NO SD 35750-06\*0

8 7 6 5 4 3 2 1



- NOTES
1. MATERIAL : BRASS . 0.5mm THICKNESS
  2. FINISH : 35750-0600 : UNPLATED  
35750-0610 : POST PLATED TIN  
35750-0640 : POST PLATED TIN-LEAD
  3. RECOMMENDED LENGTH OF WIRE STRIP IS 3.0-3.6mm.



ASS'Y PART		QTY/REEL OR PACK	SURFACE AREA	MATERIAL	SEE NOTES	WIRE RANGE	GENERAL TOLERANCES	MOLEX MOLEX-KOREA CO.,LTD.		
DESCRIPTION	ENG.NO.	10,000 Q'TY /REEL	MM <sup>2</sup>	DIMENSION CLASSIFICATION		#20-#16	DIM. : +0.30			
DIE NO. ---		LAYOUT NO. ---	DRAWN BY J.S.KANG		CHK'D BY B.K.CHOI	0.5-1.4	ANGLE : +0.20	REVISE ONLY ON CAD SYSTEM		
WIRE CRIMP WIDTH ---		INS. CRIMP WIDTH ---	APP'D BY ---		SCALE 7/1	INSULATION RANGE	TITLE: Ø 3.2 RING TM'L (U/I) 1 of 1			
LTR	REVISION RECORD	ECN	DR/CHK	DATE	DIE FEED	APPL FEED 13.50	WBDW ---	IBDW ---	ENG.NO. SD 35750-06*0	REV C

8 7 6 5 4 3 2 1